



NA30C

INSTALLATION/OWNER'S MANUAL

AM/FM/WB receiver with Bluetooth

IP66



NavAtlas™

Preparation

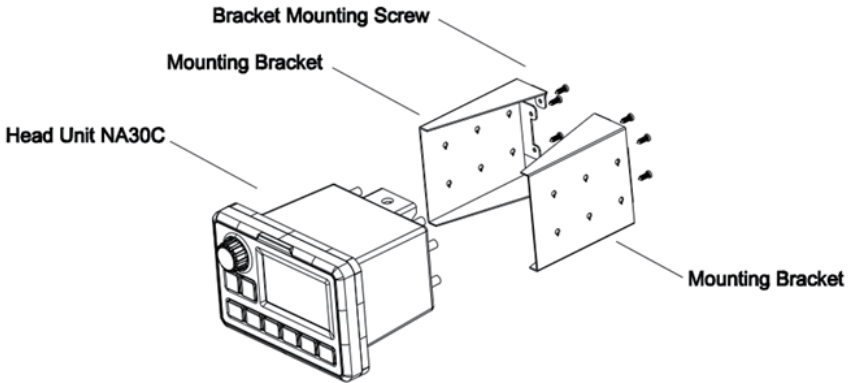
Please read entire manual before installation.

Before You Start

- Disconnect negative battery terminal. Consult a qualified technician for instructions.
- Avoid installing the unit where it would be subject to high temperatures, such as from direct sunlight, or where it would be subject to dust, dirt or excessive vibration.

Getting Started

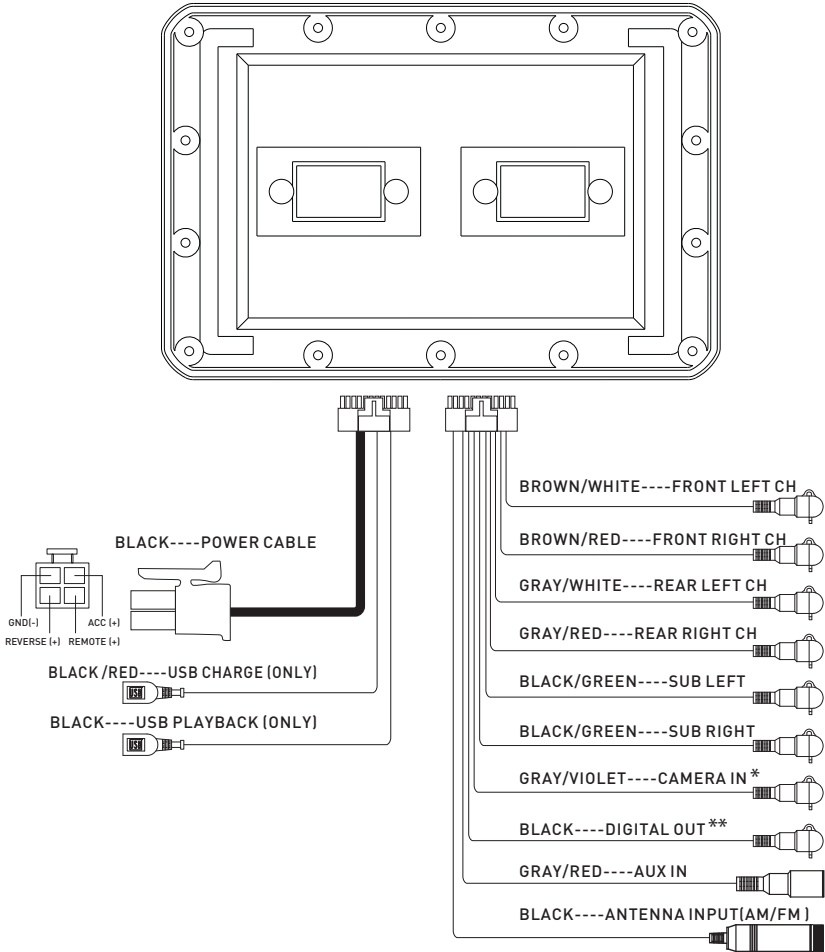
- Remove trim ring from unit.
- Remove 2 transit screws located on top of the unit.
- Insert the supplied keys into the slots as shown, and slide the unit out of the mounting sleeve.
- Install mounting sleeve into opening, bending tabs to secure.
- Connect wiring harness and antenna. Consult a qualified technician if you are unsure.
- Certain vehicles may require an installation kit and/or wiring harness adapter (sold separately).
- Test for correct operation and slide into mounting sleeve to secure.
- Snap trim ring into place.



TYPICAL DIN FRONT-LOAD MOUNTING METHOD

NA30C

Wiring Diagram



FUSE

When replacing the fuse, make sure new fuse is the correct type and amperage. Using an incorrect fuse could damage the radio.

The NA30C uses one 30 amp ATM fuse located in-line.

* Rear view camera is sold separately.

** Digital output is designed to work for all amplified Navatlas products only.





Control Locations - Receiver



- 1. Power/Mute
- 2. Audio/Menu
- 3. Tune/Track Down
- 4. Tune/Track Up

- 5. Mode/Camera (Hold 5 seconds)
- 6. Select/Preset Menu
- 7. Preset Up
- 8. Play/Pause/Band

General Operation

Power On/Off	Press  to turn the unit on. Press and hold  to turn the unit off.
Mode	Press MODE to enter the Mode Menu, then press MODE or rotate the volume knob to select between Radio, Auxiliary Input, USB and Bluetooth modes. Modes of operation are shown in the display.
Auxiliary Input	The NA30C uses a 3.5mm connection to any external or portable device for audio streaming. An optional extension (model SU35) is available to mount this connection onto the vehicle's dash for easy access. Refer to the wiring diagram for connection instructions. Once connected, press MODE to select auxiliary input mode.
Volume	Adjust volume using volume knob (00-46).
Mute	Press  to silence the audio. Press  again or rotate the volume knob to resume audio.
Set the Clock	The unit will display the time on the LCD display. Clock settings are adjusted in the General setup menu.
12/24-hour Clock	The clock will display 12-hour AM/PM time or 24-hour time (22:00). Frequency spacing is adjusted in the General setup menu.
Camera	Press and hold MODE for 5 seconds to activate Camera mode. The screen will display an image of the connected rear view camera (sold separately). To exit, press MODE and select any other source.

Setup Menu

Press MENU to toggle through and select one of the following setup menus: Audio, General, Screen and Bluetooth.

1. Once the desired menu is displayed, rotate the volume knob to scroll through the list of menu options.
2. Press SELECT to select a specific option to adjust, then rotate the volume knob left/right to adjust or activate the desired feature.
3. Press SELECT to confirm and save the changes.

Audio:

- EQ - Select between the following preset equalization curves: Flat, Rock, Jazz, Pop, Classic, Beat or User (user defined)
- 60Hz, 150Hz, 400Hz, 1KHz, 3KHz, 7KHz and 15KHz - Adjust between -8 and 8.
- Balance - Adjust left/right balance between 8L and 8R.
- Fader - Adjust front/rear balance between 8F and 8R.
- Loudness - Turn loudness feature On or Off.
- Loud-Freq - Select 400Hz, 800Hz or 2400Hz.
- Subwoofer - Adjust subwoofer to 80Hz, 120Hz, 160Hz or Off.*
- Subwoofer Volume - Adjust subwoofer volume 0-11.*

General:

- Tuner - Select desired tuning region: USA, South America or Europe.
- Auto Station Store - Select to automatically find and store six preset stations.
- Local - Turn the local feature On or Off.
- Clock - Rotate the volume knob to select the hours, minutes and AM/PM.
- Clock Mode - Choose between 12-hour and 24-hour clock.
- Version - Display the current software version number.
- Default - Press SELECT to restore unit to default factory settings.

Screen:

- Brightness - Adjust between 1 and 12.
- Contrast - Adjust between 1 and 12.
- Hue - Adjust between 1 and 12.
- Saturation - Adjust between 1 and 12.
- Sharpness - Adjust between 1 and 12.

Bluetooth

- Bluetooth - Turn Bluetooth feature On or Off.
- Auto Connect - Turning Auto Connect to On will program the unit to automatically the Bluetooth device when in range.

* Subwoofer adjustments will only affect the Analog RCA output, Digital output is not adjustable.

AM/FM Tuner Operation

Manual Tuning	Press TUNE ◀◀ or TUNE ▶▶ momentarily to change radio frequency up or down one step at a time. Press and hold to advance quickly.
Seek Tuning	Press TUNE ◀◀ or TUNE ▶▶ for more than two seconds (then release) to automatically seek and tune to the next strong station.
Band	Press BAND to select between FM1, FM2, FM3, AM1, AM2 and WB (weather band) bands.
Storing Station Presets	Tune to the desired station, press and hold the SELECT button for 3 seconds to enter the Preset Menu. Use the Volume Knob to scroll to the desired preset, then press and hold the SELECT button for 3 seconds to program and exit.
Recalling Station Presets	Press PRESET to cycle through the 1-6 presets in the current band.

USB Operation

Playing MP3/WMA Files	To play MP3 files, connect a USB device containing MP3/files. "USB Loading" will flash in the display. Depending on the number of files and folders, this may take several seconds.
Play/Pause	Press the BAND button to pause or resume playback.
Next Track	Press TUNE ►► to advance to the next track.
Previous Track	Press TUNE ◄◄ to return to the beginning of the current track, and press TUNE ◄◄ again to return to the previous track.
Fast Forward/Reverse	Press and hold TUNE ◄◄ or TUNE ►► to fast reverse or fast forward a track.
File Search	Press SELECT to display a list of all files and folders on the device. Rotate the volume knob to navigate to selected file or folder, then press SELECT to begin playback.
Playback Functions	Press and hold SELECT to display playback functions , then rotate the volume knob to select one of the following options: Intro, Random or Repeat. Press SELECT to choose that function.
Intro	<p>Rotate the volume knob to select between the following options, then press SELECT to confirm.</p> <ul style="list-style-type: none"> • All - Plays the first 10 seconds of all songs on device. • Folder - Plays the first 10 seconds of all songs in folder. • Off - Cancels the Intro function.
Random	<p>Rotate the volume knob to select between the following options, then press SELECT to confirm.</p> <ul style="list-style-type: none"> • On - Plays all songs on device in random order. • Off - Cancels the Random function.
Repeat	<p>Rotate the volume knob to select between the following options, then press SELECT to confirm.</p> <ul style="list-style-type: none"> • All - Repeats all songs on device. • Folder - Repeats all songs in folder. • One - Repeats the current song only.
	Note: Folder repeat, random and intro options only function on devices recorded with more than one folder.

MP3/WMA Operation

File/Folder Compatibility and Support

Type	Specification
Compatible File Types	<ul style="list-style-type: none"> • MP3 data (.mp3) • WMA data (.wma)
Incompatible File Types	<ul style="list-style-type: none"> • DRM protected files • WMA lossless • Apple lossless • WMA Pro • MP3 Pro • MP3 playlists • M4A/AAC data • WAV lossless
Sampling Frequency Rate Compatibility	<ul style="list-style-type: none"> • MP3: 8kHz - 48kHz • WMA: 32kHz - 48kHz
Transfer Bit Rate Compatibility	<ul style="list-style-type: none"> • MP3: 32kbps - 320kbps • WMA: 32kbps - 192kbps
Character Support	<ul style="list-style-type: none"> • Song Title: 32 characters • Artist Name: 32 characters • Album Name: 32 characters • File Name: 32 characters • Folder Name: 32 characters
ID3 Tag Support	<ul style="list-style-type: none"> • MP3 Tags: Version 1.0 - 2.4 • WMA Tags
File/Folder Limit	<ul style="list-style-type: none"> • Maximum number of files: 999 • Maximum number of folders: 500 (plus the root folder) • Maximum number of files in each folder: 999 <p>Note: For devices with more than the maximum number of files/folders, some files will be ignored and may not function properly.</p>
USB/SD File System	<ul style="list-style-type: none"> • FAT/FAT32 file system supported. • HFS/NTFS/EXT2/EXT3 not supported.

Bluetooth Operation

Preparation

Before you can use a Bluetooth device, it must be paired and connected. Make sure that Bluetooth is activated on your device before you begin the pairing process.

Pairing a New Device

The NA30C broadcasts the pairing signal constantly when no devices are currently connected. Complete the pairing sequence from your Bluetooth device. Refer to the owner's manual for your device for more details.

**The device name is "NA30C"
The Bluetooth passcode "0000"**

Note: The NA30C can be in any mode of operation when pairing is performed.

Streaming Audio

The NA30C supports A2DP (advanced audio distribution profile) wireless streaming audio from your Bluetooth mobile device directly to your head unit. You can also control your music from the front panel of the head unit using AVRCP (audio video remote control profile).

- To stream music to your head unit, your mobile device must support the A2DP and AVRCP Bluetooth profiles. Check the owner's manual of your mobile device for details.
- Streaming audio must be enabled from your mobile device. This option will vary depending on the device. Some devices allow streaming audio to be disabled.

After pairing, connecting and enabling streaming audio from a compatible mobile device, begin playing music using the music player on your mobile device. Once the music is playing, the following functions can be used to control the music:

- The ►► button will skip to the next available audio track.
- The ◀◀ button will skip to the previous audio track.
- The ►/|| button will toggle between play and pause during playback.

Note: Some Bluetooth devices may not fully support these commands.

NA30C

Notes

Limited One-Year Warranty

This warranty gives you specific legal rights. You may also have other rights which vary from state to state

NavAtlas warrants this product to the original purchaser to be free from defects in material and workmanship for a period of one year from the date of the original purchase.

NavAtlas agrees, at our option, during the warranty period, to repair any defect in material or workmanship or to furnish an equal new, renewed or comparable product (whichever is deemed necessary) in exchange without charges, subject to verification of the defect or malfunction and proof of the date of purchase. Subsequent replacement products are warranted for the balance of the original warranty period.

Who is covered?

This warranty is extended to the original retail purchaser for products purchased from an authorized NavAtlas dealer and used in the U.S.A

What is covered?

This warranty covers all defects in material and workmanship in this product. The following are not covered: software, installation/removal costs, damage resulting from accident, misuse, abuse, neglect, product modification, improper installation, incorrect line voltage, unauthorized repair or failure to follow instructions supplied with the product, or damage occurring during return shipment of the product.

Factory defects include:

- MID/Tweeter not playing or distorting
- Glue/adhesive separating or not holding correctly
- Tinsel leads not attached/soldered correctly
- LED not working out-of-box

What to do?

1. Before you call for service, check the troubleshooting guide in your owner's manual. A slight adjustment of any controls may save you a service call.

2. If you require service during the warranty period, you must carefully pack the product (preferably in the original package) and ship it by prepaid transportation with a copy of the original receipt from the retailer to an authorized service center.

3. Please describe your problem in writing and include your name, a return UPS shipping address (P.O. Box not acceptable), and a daytime phone number with your shipment.

4. For more information and for the location of the nearest authorized service center please contact us by one of the following methods:

- Call us 1-562-946-7471
- E-mail us at navcustserv@navatlas.net

Exclusion of Certain Damages:

This warranty is exclusive and in lieu of any and all other warranties, expressed or implied, including without limitation the implied warranties of merchantability and fitness for a particular purpose and any obligation, liability, right, claim or remedy in contract or tort, whether or not arising from the company's negligence, actual or imputed. No person or representative is authorized to assume for the company any other liability in connection with the sale of this product. In no event shall the company be liable for indirect, incidental or consequential damages.

Troubleshooting

Problem	Cause	Action
Unit will not turn on (no power)	Yellow wire not connected or incorrect voltage Red wire not connected or incorrect voltage	Check connections for proper voltage (11-16VDC)
	Black wire not connected	Check connection to ground
	Fuse blown	Replace fuse
Unit blows fuses	Yellow or red wire touching chassis ground	Check for pinched wire
	Speaker wires touching chassis ground	Check for pinched wire
	Incorrect fuse rating	Use fuse with correct rating
NO FILE appears on display	WMA file is protected by DRM (Digital Rights Management)	Use WMA files that are not protected
	No playable MP3/WMA files found on the device	Check the device for valid MP3/WMA files
	Communication error	Remove and reconnect the device
NO SUPPORT appears on display	An invalid ID3 tag version is present	Version 1.0 to 2.4 ID3 tags are supported.

Specifications

FM Tuner	Tuning range: 87.5MHz-107.9MHz Usable sensitivity: 8.5dBf 50dB quieting sensitivity: 10dBf Stereo separation @ 1kHz: >30dB Frequency response: 30Hz-13kHz
AM Tuner	Tuning range: 530kHz-1710kHz Usable sensitivity: 22uV Frequency response: 30Hz-2.2kHz
General	Preout Voltage: 4.5 Volts RMS Dimensions: 4 1/16" x 2 13/16" x 3 1/2" (104x73x98mm)

Design and specifications subject to change without notice.

FCC Compliance

This device complies with Part 15 of the FCC Rules. Operation is subject to the following two conditions:

- (1) this device may not cause harmful interference, and
- (2) this device must accept any interference received, including interference that may cause undesired operation.

Warning: Changes or modifications to this unit not expressly approved by the party responsible for compliance could void the user's authority to operate the equipment.

Note: This equipment has been tested and found to comply with the limits for a Class B digital device, pursuant to Part 15 of the FCC Rules. These limits are designed to provide reasonable protection against harmful interference in a residential installation. This equipment generates, uses and can radiate radio frequency energy and, if not installed and used in accordance with the instructions, may cause harmful interference to radio communications. However, there is no guarantee that interference will not occur in a particular installation. If this equipment does cause harmful interference to radio or television reception, which can be determined by turning the equipment off and on, the user is encouraged to try to correct the interference by one or more of the following measures:

- Reorient or relocate the receiving antenna.
- Increase the separation between the equipment and receiver.
- Connect the equipment into an outlet on a circuit different from that to which the receiver is connected.
- Consult the dealer or an experienced radio/TV technician for help.

NavAtlas™

Support Line: 1-562-946-7471
Monday-Friday, 9AM-5PM PST

www.navatlas.com
All rights reserved.

NSA0919-V01
Printed in China